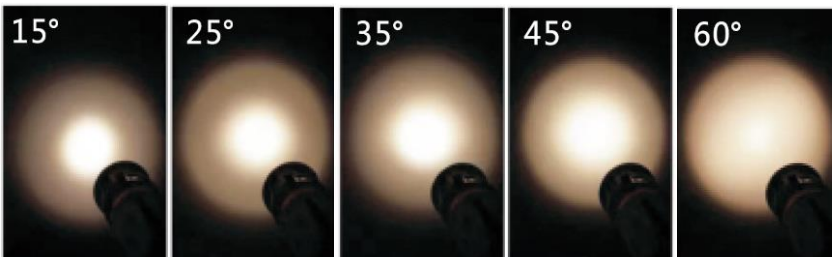


## Features

- Protected against dust entry and water jets IP65
- The symmetrical beam light distribution specially suitable for the illumination of building
- Air ventilation housing design for effective air flow across the heatsink and heat dissipation away from LED light source by natural convection
- Distributed light source panel configuration to spread the heat source over large area and greatly reduce thermal density for lower LED junction temperature

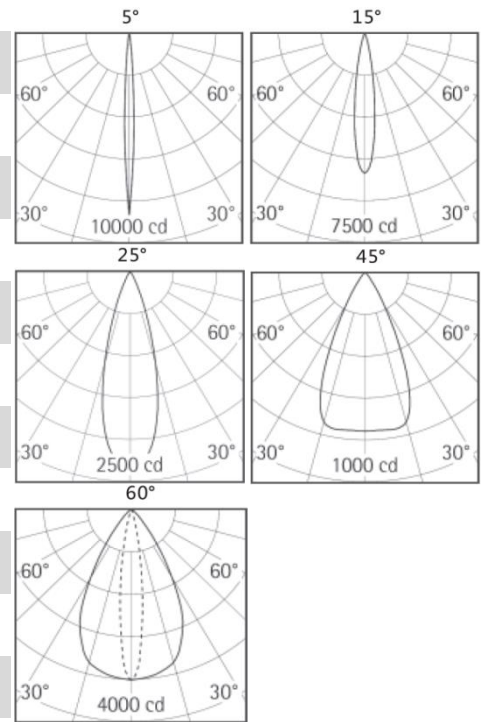


## Applications

- Architectural outdoor lighting
- Bridges
- Walls

## Specifications

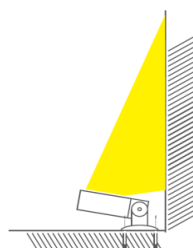
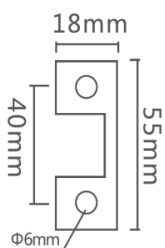
Power	72W (72 X 1W)
Input Voltage	AC 100~240V 50/60Hz OR DC 24V
Power Factor	>0.9
Dimming Control	Triac Leading Edge / DMX 512 / 0~10V / Dali
CCT	2700K, 3000K, 4000K, 5000K, 6500K, RGB
Color Rendering Index	80
Luminaire Efficacy	100lm/W (2700K), 100lm/W (3000K), 115lm/W (4000K), 115lm/W (5000K), 115lm/W (6500K), 50lm/W (RGB)
LED Source Efficacy	120lm/W (2700K), 120lm/W (3000K), 135lm/W (4000K), 135lm/W (5000K), 135lm/W (6500K), 70lm/W (RGB)
Beam Angle	5° / 15° / 25° / 45° / 60° / 8-60°
LED Source	CREE
LED Life Span	50,000 Hours
Operating Temperature	-20°C~50°C
Operating Humidity	0~99% RH
Finishing Materials	Aluminium alloy housing, Anti-UV corrosion powder coating, Oxidized aluminium with 3mm tempered glass, Stainless steel screws
IP Rating	IP65
Body Color	Matte Silver



## Ordering Part No.

Brand Name	Lighting	Power	Color Temperature	Beam Angle	Series Name	Dimming Control
CE: CELEX	FL: Flood Light	72W	O: 2700K W: 3000K N: 4000K D: 5000K C: 6500K	T: 5° S: 15° M: 25° L: 45° X: 60°	PV: Paper V Series	D: DMX 512 N: Switch In (ON/ OFF) T: Triac Leading Edge V: 0~10V Dimming A: Dali Z: Zigbee
CE	FL	72W	W	L	PV	N

## Installation guide



1. Install the mounting bracket
2. Fix the light into position
3. Fix the light on the wall